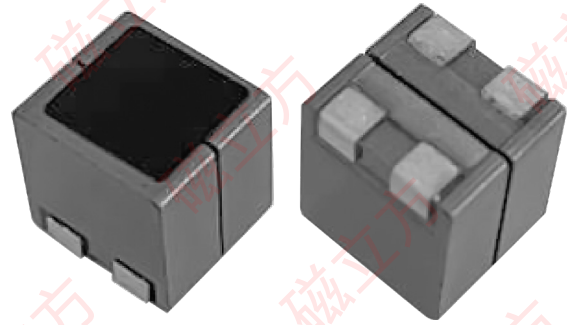


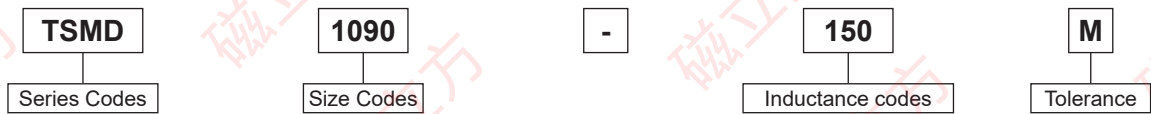
TSMD SERIES

Features:

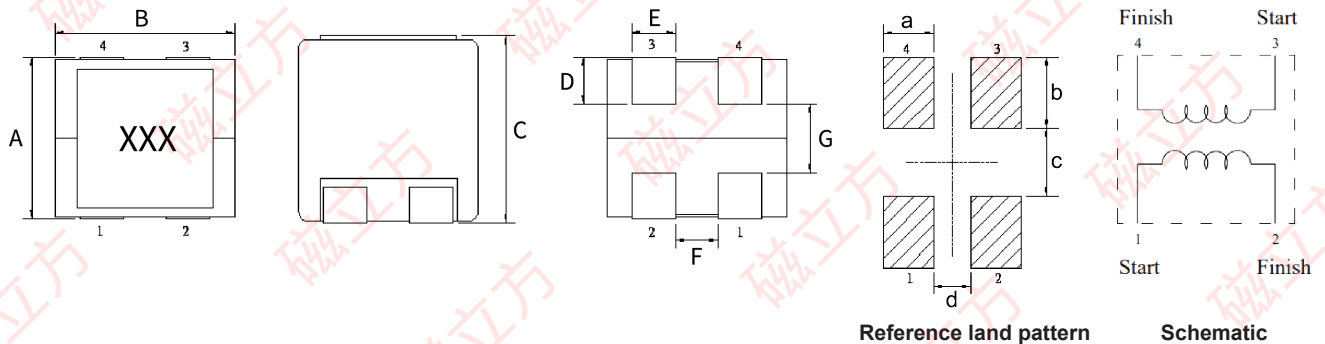
- AEC-Q200 qualified.
- Halogen Free.
- 125°C maximum total temperature operation.
- 10.4x9.4x10.85mm maximum surface mount package.
- Magnetically shielded, low EMI.
- High current carrying capacity, Low core losses.
- RoHS compliant.



Explanation of part numbers:



Shape & Dimension:



Series	A	B	C	D	E	F	G	a	b	c	d
TSMD0770	7.5±0.2	7.0±0.2	7.3±0.2	1.65±0.2	2.0±0.2	1.6±0.2	3.4	2	3.2	3.55	1.25
TSMD0890	8.0±0.2	8.15±0.2	8.9±0.2	1.95±0.2	2.3±0.2	1.9±0.2	3.2	2.3	3.5	3.5	1.6
TSMD1090	9.2±0.2	10.2±0.2	10.65±0.2	2.5±0.2	2.65±0.2	2.4±0.2	4.3	2.85	4.05	3.84	2.1

(unit: mm)

Electrical characteristics:

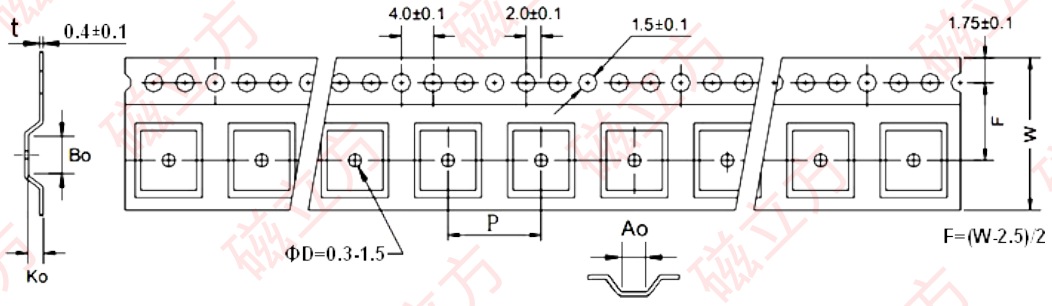
Test condition: at 25°C 100KHz/1.0V

Part No.	Inductance	DCR(mΩ)		Idc (A)	Isat (A)	Rated Voltage(V)	
	L0(μH)±20 %	Typ.	Max.	Typ.	Typ.	Max.	
TSMD0770-1R0M	1.0	5.4	6.5	9.8	19.3	75	
TSMD0770-3R3M	3.3	16.0	19.2	5.7	13.0	75	
TSMD0770-6R8M	6.8	36.0	43.2	4.0	8.8	75	
TSMD0770-100M	10.0	43.0	49.0	3.5	6.8	75	
TSMD0770-150M	15.0	75.0	90.0	2.7	6.0	75	
TSMD0770-220M	22.0	112.0	134.0	2.2	4.3	75	
TSMD0890-3R3M	3.3	10.7	13.4	6.2	11.3	75	
TSMD0890-220M	22.0	88.0	105.0	2.4	4.6	75	
TSMD1090-3R3M	3.3	7.5	8.6	9.0	26.0	75	
TSMD1090-100M	10.0	18.0	22.0	5.8	12.0	75	
TSMD1090-150M	15.0	34.0	40.8	4.5	9.0	75	
TSMD1090-200M	22.0	46.0	56.0	3.6	8.5	75	

NOTE:

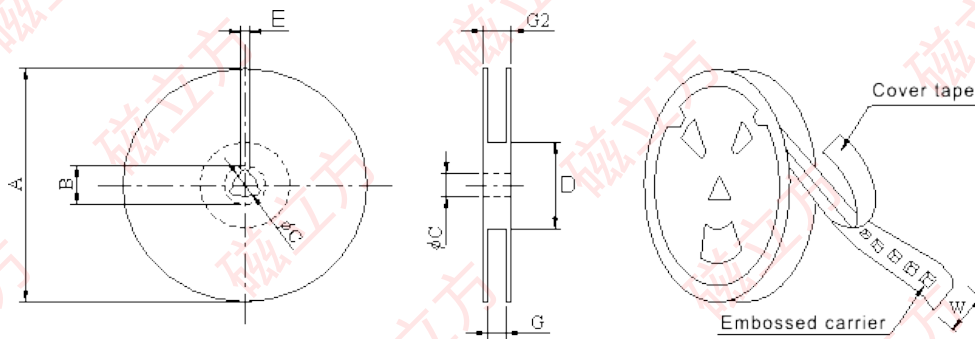
- All test data is referenced to 25°C ambient.
- Operating temperature range -55°C to +125°C.
- Idc(A):DC current (A) that will cause an approximate ΔT of 40 °C(reference ambient temperature is 25°C).
- Isat(A):DC current (A) that will cause L0 to drop approximately 25%.
- The part temperature (ambient + temp rise) should not exceed 125 °C under worst case operating conditions. Circuit design, component placement, PWB trace size and thickness, airflow and other cooling provisions all affect the part temperature. Part temperature should be verified in the end application.

Packing Information:



(unit: mm)

Series	Quantity	Ao	Bo	Ko	W	P
TSMD1090	300pcs	9.5±0.10	10.5±0.10	11.35±0.1	24±0.1	16±0.1



(unit: mm)

Series	TYPE	A(Ref.)	B(Ref.)	C(Ref.)	D(Ref.)	E(Ref.)	G(Ref.)	G2(Ref.)
TSMD1090	13"*24mm	330±1	20±0.8	13±0.5	100±1	2.0±0.5	24.5±0.5	28.5Typ.

Typical Pulling Force: 10-130 grams

